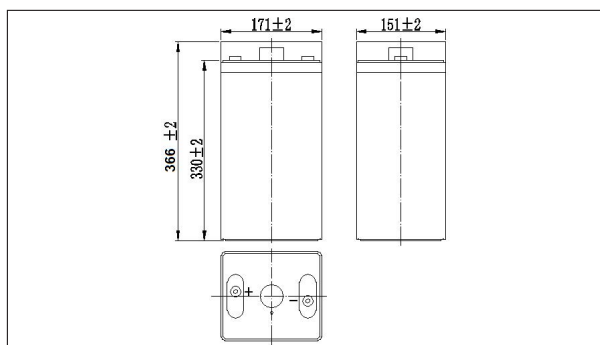




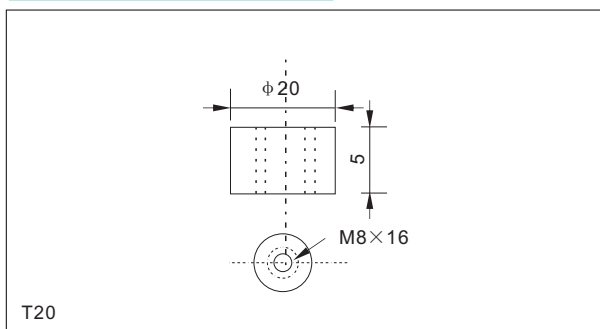
Specifications

Nominal Voltage	2V	
Rated capacity (10 hour rate)	300Ah	
Dimensions	Length	171±2mm(6.73inch)
	Width	151±2mm(5.94inch)
	Height	330±2mm(12.99inch)
	Total Height	366±2mm(14.41inch)
Approx. Weight	19.5kg(42.9lbs)±3%	

Outer dimensions (mm)



Terminal Type (mm)



Characteristics

Capacity (25°C)	10HR(1.8V)	300Ah
	3HR(1.80V)	225.9Ah
	1HR(1.75V)	167Ah
Terminal type		T20
Internal resistance (Fully charged, 25°C)		Approx. 0.8m Ω
Capacity affected by temperature (20HR)	40°C	102%
	25°C	100%
	0°C	85%
	-15°C	65%
Self-discharge (25°C)	3 months	Remaining Capacity:91%
	6 months	Remaining Capacity:82%
	12 months	Remaining Capacity:65%
Nominal operating temperature		25°C ±3°C(77°F ±5°F)
Operating temperature range	Discharge	-15°C~50°C(5°F~122°F)
	Charge	-10°C~50°C(14°F~122°F)
	Storage	-20°C~50°C(-4°F~122°F)
Float charging voltage(25°C)		2.25 to 2.30V Temperature compensation: -3mV/°C
Cyclic charging voltage(25°C)		2.40 to 2.45V Temperature compensation: -5mV/°C
Maximum charging current		60A
Maximum discharge current		2100A(5 sec.)
Designed floating life(20°C)		18 years

Construction

Component	Positive plate	Negative plate	Container	Cover	Separator	Electrolyte	Safety valve	Terminal
Raw material	Lead dioxide	Lead	ABS	ABS	AGM	Gel	Rubber	Copper

Constant Current Discharge Characteristics Unit:A(25°C,77°F)

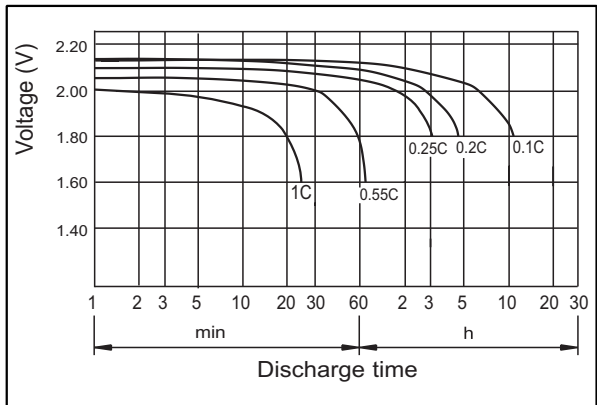
F.V/Time	15min	30min	60min	2h	3h	4h	5h	6h	8h	10h	20h
1.60V	375	261	180	108	78.3	61.8	51.4	45.3	36.1	30.5	16.0
1.65V	366	256	176	107	77.9	61.4	51.1	45.0	35.9	30.5	16.0
1.70V	353	248	171	107	77.3	61.0	50.8	44.7	35.6	30.4	16.0
1.75V	341	242	167	105	76.8	60.6	50.4	44.4	35.4	30.2	15.9
1.80V	323	233	162	102	75.3	58.8	48.9	43.1	34.3	30.0	15.8

Constant Power Discharge Characteristics Unit:W(25°C,77°F)

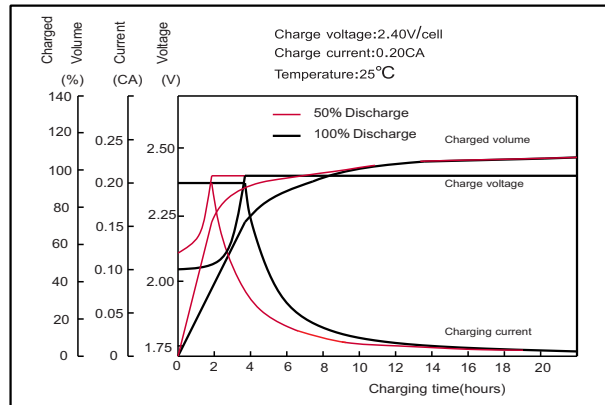
F.V/Time	15min	30min	60min	2h	3h	4h	5h	6h	8h	10h	20h
1.60V	686	488	342	209	154	121	101	89.2	71.9	60.8	32.1
1.65V	670	478	335	207	153	120	101	88.7	71.4	60.7	32.0
1.70V	645	464	325	206	152	120	100	88.1	70.9	60.5	31.9
1.75V	623	452	318	202	151	119	99.3	87.5	70.4	60.1	31.7
1.80V	590	436	308	197	148	115	96.3	84.8	68.3	59.7	31.5

Note: The above characteristics data can be obtained within three charge or discharge cycles.

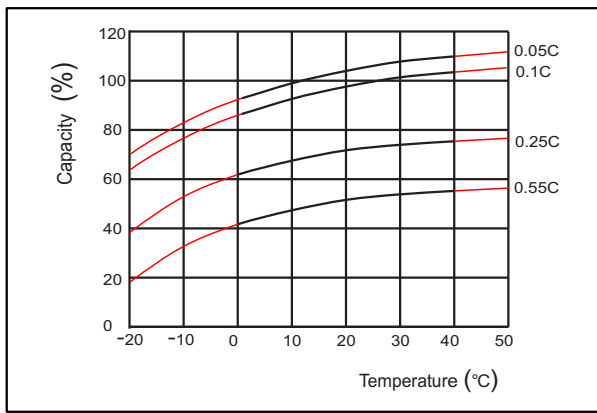
Discharge characteristics(25°C)



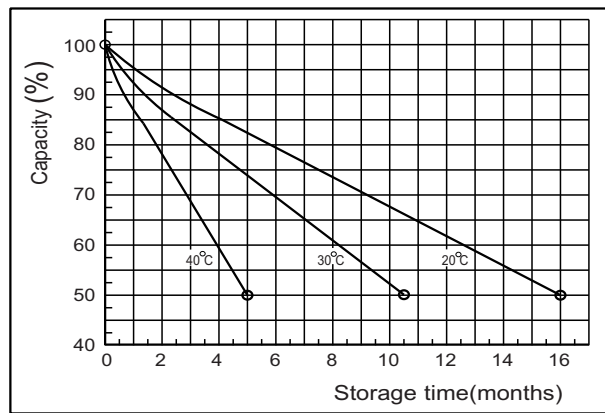
Charging characteristics



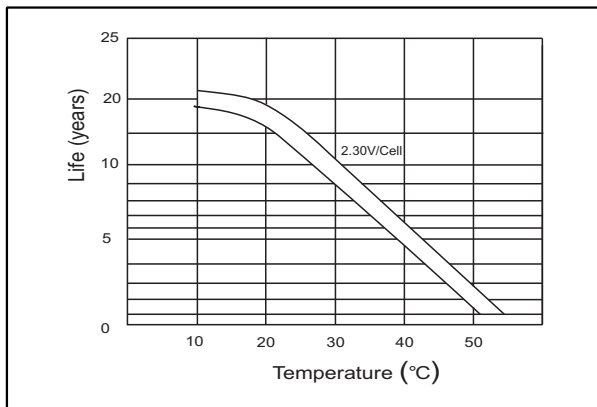
Effect of Temperature on Capacity



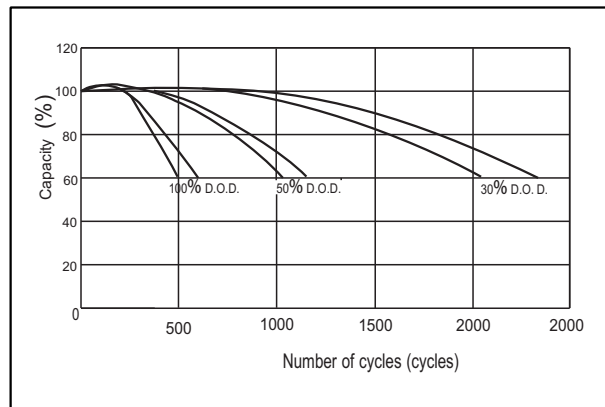
Self-discharge characteristics



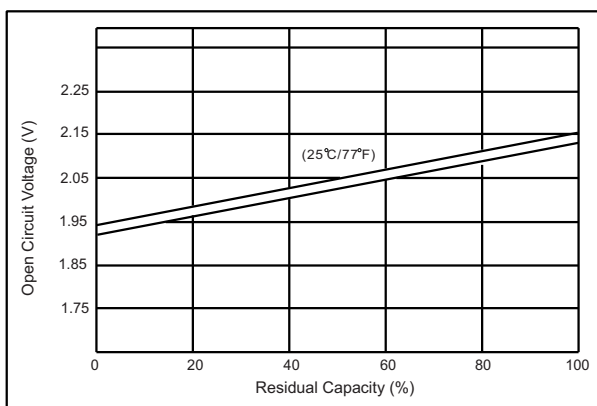
Temperature effects on float life



Cycle service life in relation to depth of discharge



The relationship for OCV and Capacity (25°C)



The relationship for Charging voltage and Temperature

